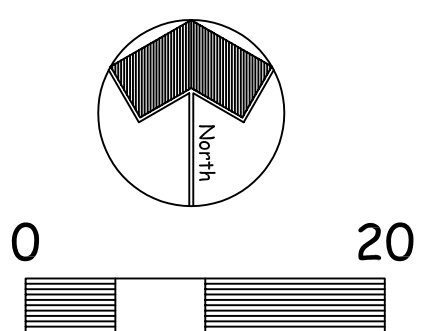


- NOTES:
1. KEEP ALL SHADE AND EVERGREEN TREES THAT ARE IN GOOD CONDITION.
 2. ALL SHRUB BEDS NEED TO BE TRIMMED.
 3. CREATE A SRUB BED WHERE THE STUDENTS CAN WORK ON GOOD DAYS.

SCALE 1" = 20'



BEAR RIVER HEAD START OUTDOOR LEARNING ENVIRONMENT

BEYOND ACCESS
 UTAH STATE UNIVERSITY
 01. 2004

SHEET 3 -
 ANALYSIS