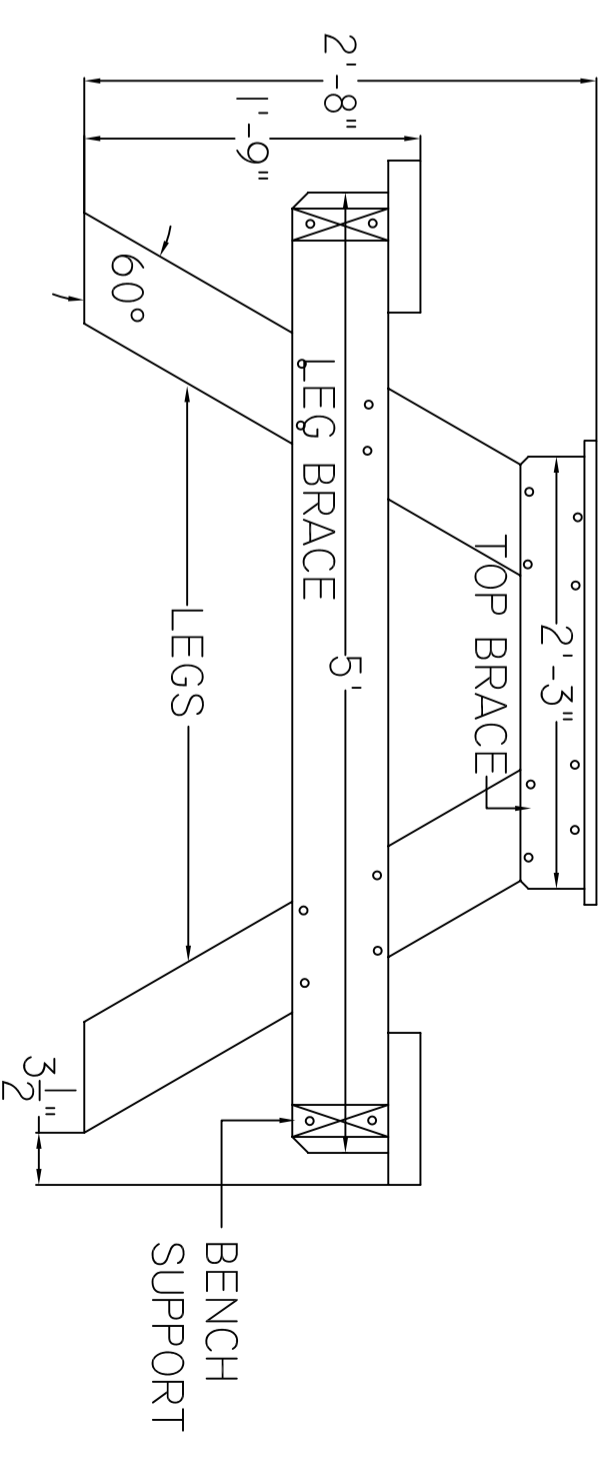
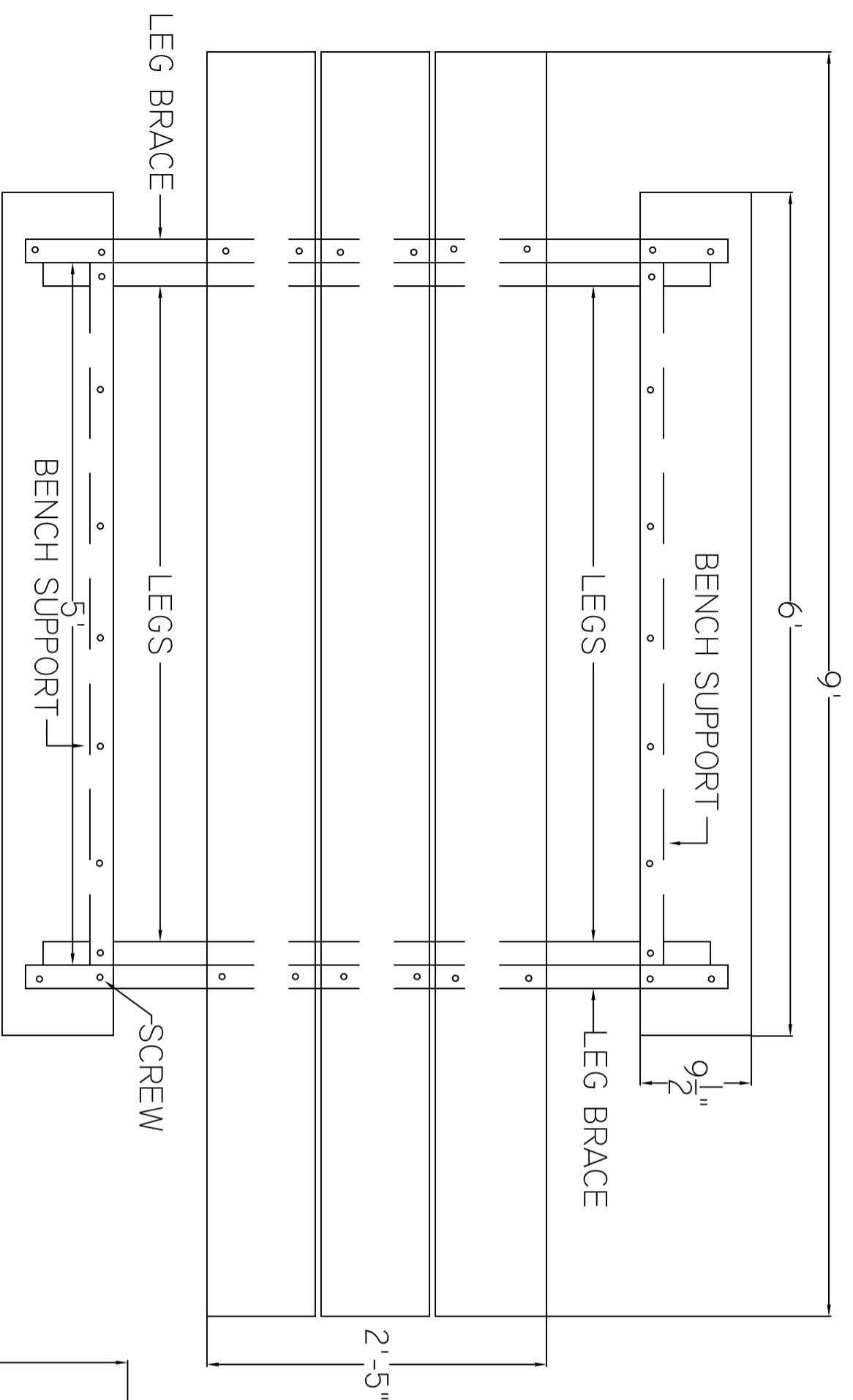


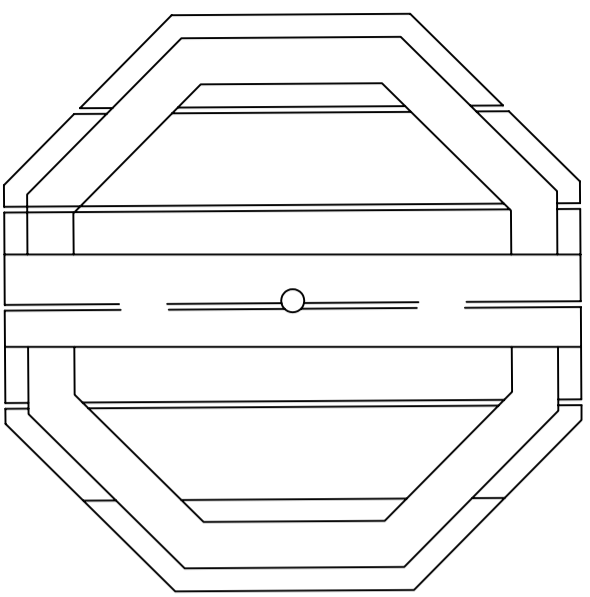
- NOTES:
1. TABLE TO BE CONSTRUCTED OF TREX.
  2. BENCHES TO OVERHANG 2".
  3. BENCH SUPPORT TO ATTACH TO LEG BRACE.



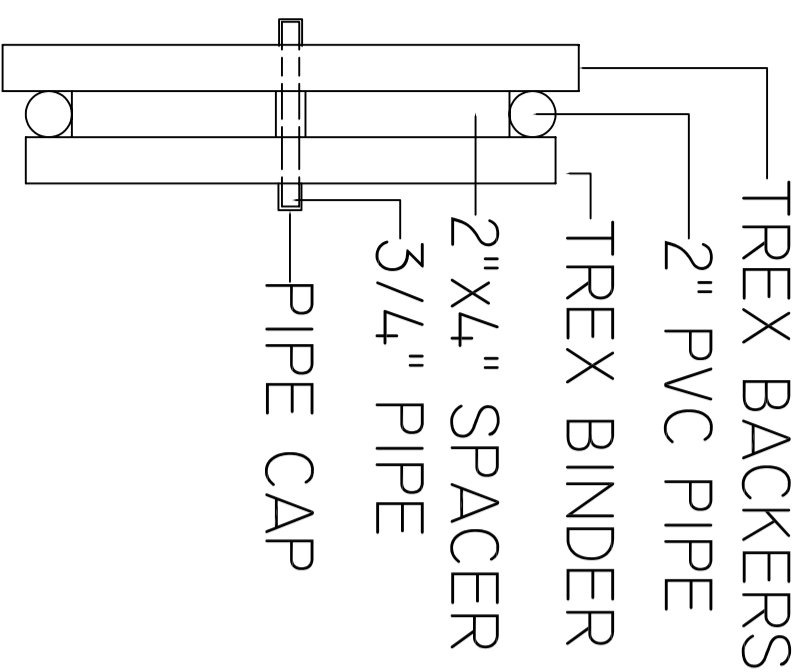
MATERIALS LIST:

- 1 - 2"X4"X8' TREX
- 2 - 2"X6"X12' TREX
- 1 - 2"X6"X16' TREX
- 3 - 2"X10"X12' TREX

|   |  |         |                         |             |            |
|---|--|---------|-------------------------|-------------|------------|
| DRAWN BY: DAN BORDEN<br>DATE: AUGUST 2023<br>DWG. NO.:        | APPROVED BY: JAMIE CHRISTENSEN, P.E.<br>REG. NO. 1<br>DWG. 1 | REGION: | PROJECT:                | SHEET NAME: | SHEET NO.: |
| ANGELS' LANDING<br>A PLAYGROUND FOR CHILDREN OF ALL ABILITIES |  |         | ACCESSIBLE PICNIC TABLE | 1           |            |

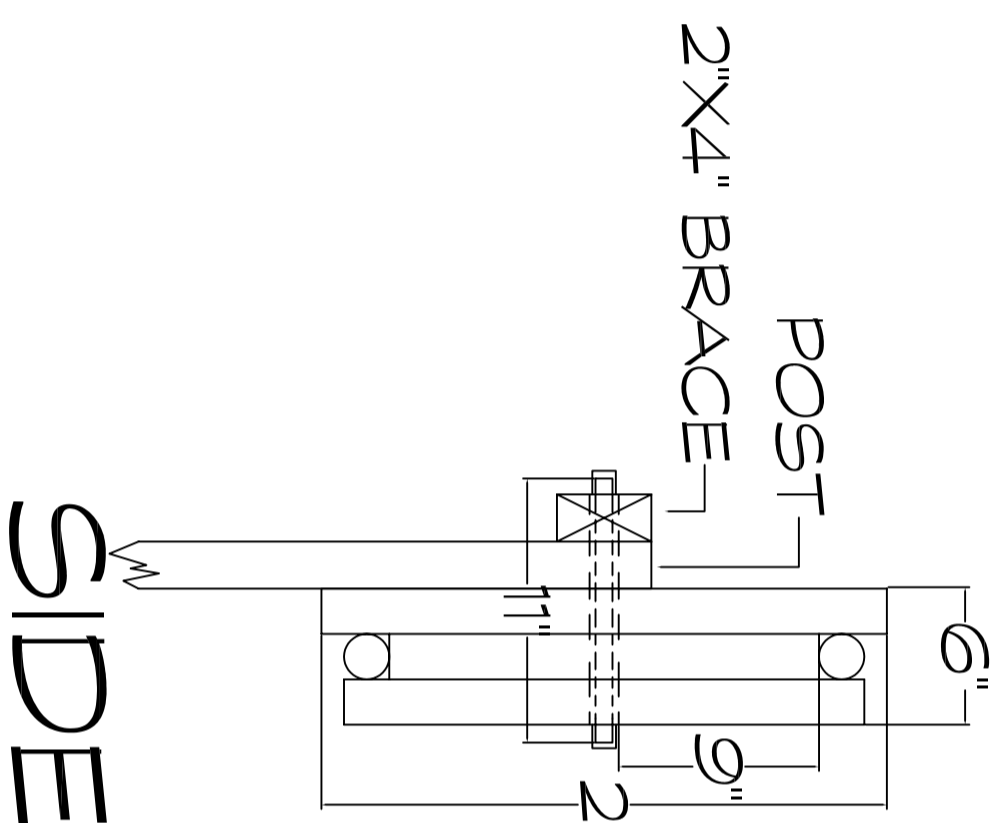


# FRONT



- MATERIALS LIST:
- 1 - 2"x4"x12' TREX
  - 1 - 2"x4"x8' TREX
  - 8 - 2" PVC 45° ELBOWS
  - 5.5' - 2" PVC PIPE
  - 1' THREADED 3/4" STEEL PIPE
  - 2 - 3/4" STEEL PIPE CAPS
  - 6 - 3/4" FLOOR FLANGES
  - GRABBER SCREWS

- NOTES:
1. ALL "WOOD" MATERIALS TO BE 2"x4" TREX.
  2. TUBE IS 2" PVC PAINTED.
  3. GRABBER SCREWS HOLES TO BE PREDRILLED INTO PVC. HOLES TO BE 1-1.5" APART.
  4. CENTER ROD IS 3/4" METAL PIPE.
  5. CENTER ROD NEEDS TO BE CAPPED AND THREADED.
  6. 3/4" FLOOR FLANGES TO BE PUT ON CENTER ROD IN-BETWEEN ALL TREX PIECES.
  7. RAINWHEEL TO BE FILLED PARTIALLY WITH GRAVEL. CONSULT LANDSCAPE ARCHITECT.
  8. RAINWHEEL TO BE POST OR GUARDRAIL MOUNTED 2' ABOVE GROUND LEVEL.



# SIDE

# SIDE



PHOTO BY KEITH CHRISTENSEN

|                         |  |         |  |                   |           |
|-------------------------|--|---------|--|-------------------|-----------|
| DESIGN BY DAVID BONGINA | APPROVED BY KEITH CHRISTENSEN, R.A., CDS | REVIEWS | PROJECT                                    | SHEET NAME        | SHEET NO. |
| DATE: AUG 27 2023       | PROJECT NO: 1                            |         | ANGELS' LANDING                            | RAIN WHEEL DETAIL | 2         |
| DWG NO: 1               | DWG 2                                    |         | A PLAYGROUND FOR CHILDREN OF ALL ABILITIES |                   |           |